

Big Mouth® Flow-Through Plugs

Big Mouth® plugs serve multiple applications. Great for **gravity bypassing** or **bypass pumping**.

Original Big Mouth Plugs

- Large male NPT threaded bypass
- Equipped with removable 3/8" eyebolt for lifting /lowering plug
- Removable tire valve for easy replacement with optional quick disconnect
- Lightweight aluminum bypass



Single Size Big Mouth Plug

- Allows for largest bypass by pipe diameter
- 6", 8", 10" sizes have threaded bypasses
- 12", 15", 18", 21" and 24" have straight tube bypasses
 - Attach hose with banding



Multi-Size Big Mouth Plug

- Multi-size Big Mouth Plug offers greater expansion range
- Lightweight aluminum bypass
- Removable tire valve for easy replacement with optional quick disconnect

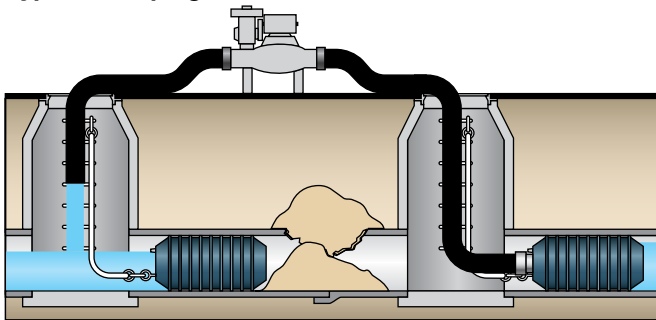


Multi-Size Big Mouth Plug with Interchangeable Bypass Flange

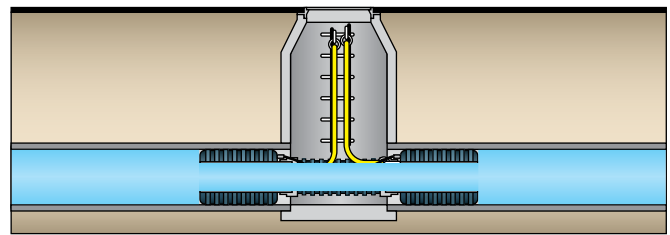
- Interchangeable Bypass for different bypass needs Multi-size Big Mouth Plug offers greater expansion range
- Lightweight aluminum bypass
- Removable tire valve for easy replacement with optional quick disconnect



Bypass Pumping



Gravity Bypassing





Original Size Big Mouth Plugs

Part Number	Nominal Size	Bypass Diameter (NPT)	Usage Range	Maximum Back Pressure	Inflation Pressure	Product Weight	Deflated Length	Deflated Diameter	Inflation Thread	Chain / Eye bolts	
269008	8" - 10" (200-250 mm)	4" M	7.25"-10.25" (185-250 mm)	11 psi (0,76 bar)	25 ft. (7.6 M)	35 psi (2,4 bar)	8.8 lbs (4 kg)	14.88" (378 mm)	6.94" (176 mm)	1/4" (1)	3/8" (1)
269018	10" - 12" (250-300 mm)	6" M	9.25"-12.25" (235-311 mm)	11 psi (0,76 bar)	25 ft. (7.6 M)	30 psi (2,1 bar)	15.7 lbs (7.12 kg)	17.25" (438 mm)	8.81" (224 mm)	1/4" (1)	3/8" (1)
269028	12" - 15" (300-380 mm)	6" M	10.62"-15.25" (270-387 mm)	11 psi (0,76 bar)	25 ft. (7.6 M)	30 psi (2,1 bar)	20 lbs (9 kg)	17.88" (454 mm)	10.25" (260 mm)	1/4" (1)	3/8" (1)

Single Size Big Mouth Plugs

Part Number	Nominal Size	Bypass Diameter (NPT)	Usage Range	Maximum Back Pressure	Inflation Pressure	Product Weight	Deflated Length	Deflated Diameter	Inflation Thread	Chain / Eye bolts	
369068	6" (150 mm)	4" M	5.69"-6.34" (145-161 mm)	11 psi (0,76 bar)	25 ft. (7.6 M)	30 psi (2,1 bar)	7 lbs (3.2 kg)	13.25" (337 mm)	5.38" (137 mm)	1/4" (1)	3/8" (1)
369088	8" (200 mm)	6" M	7.75"-8.45" (195-215 mm)	11 psi (0,76 bar)	25 ft. (7.6 M)	30 psi (2,1 bar)	10 lbs (4.5 kg)	16" (406 mm)	7.5" (191 mm)	1/4" (1)	3/8" (1)
369108	10" (250 mm)	8" OD	9.75"-10.46" (250-266 mm)	11 psi (0,76 bar)	25 ft. (7.6 M)	30 psi (2,1 bar)	17 lbs (7.7 kg)	20" (508 mm)	9.13" (232 mm)	1/4" (1)	3/8" (1)
369128	12" (300 mm)	10" OD	11.75"-12.52" (300-318 mm)	11 psi (0,76 bar)	25 ft. (7.6 M)	30 psi (2,1 bar)	21 lbs (9.5 kg)	20" (508 mm)	11.13" (283 mm)	1/4" (1)	3/8" (1)
369158	15" (380 mm)	12" OD	13.9"-15.56" (353-395 mm)	11 psi (0,76 bar)	25 ft. (7.6 M)	30 psi (2,1 bar)	26 lbs (11.8 kg)	20" (508 mm)	13.13" (333 mm)	1/4" (1)	3/8" (1)
369188	18" (450 mm)	15" OD	16.88"-18.74" (429-476 mm)	11 psi (0,76 bar)	25 ft. (7.6 M)	30 psi (2,1 bar)	31 lbs (14 kg)	20" (508 mm)	16.13" (410 mm)	1/4" (1)	3/8" (1)
369218	21" (525 mm)	18" OD	20.01"-21.81" (508-554 mm)	11 psi (0,76 bar)	25 ft. (7.6 M)	30 psi (2,1 bar)	37 lbs (16.8 kg)	20" (508 mm)	19.13" (486 mm)	1/4" (1)	3/8" (1)
369248	24" (600 mm)	20" OD	22.63"-24.98" (575-634 mm)	11 psi (0,76 bar)	25 ft. (7.6 M)	30 psi (2,1 bar)	42 lbs (19 kg)	20" (508 mm)	21.13" (537 mm)	1/4" (1)	3/8" (1)

Multi-Size Big Mouth Plugs

Part Number	Nominal Size	Bypass Diameter (NPT)	Usage Range	Maximum Back Pressure	Inflation Pressure	Product Weight	Deflated Length	Deflated Diameter	Inflation Thread	Chain / Eye bolts	
374068	6" - 10" (150-250 mm)	4" M	5.75"-10.25" (146-260 mm)	10 psi (0,69 bar)	23 ft. (10 M)	40 psi (2,8 bar)	15 lbs (6.8 kg)	24.5" (622 mm)	5.65" (146 mm)	1/4" (1)	3/8" (1)
374088	8" - 12" (200-300 mm)	4" M	7"-12.25" (178-311 mm)	15 psi (1 bar)	34 ft. (10.5 M)	35 psi (2,4 bar)	22 lbs (10 kg)	26" (660 mm)	6.75" (165 mm)	1/4" (1)	3/8" (1)
376088	8" - 12" (200-300 mm)	6" M	7"-12.25" (178-311 mm)	15 psi (1 bar)	34 ft. (10.5 M)	35 psi (2,4 bar)	22 lbs (10 kg)	26" (660 mm)	6.76" (165 mm)	1/4" (1)	3/8" (1)
376128	12" - 18" (300-450 mm)	6" M	11.25"-18.25" (286-464 mm)	10 psi (0,69 bar)	23 ft. (10 M)	25 psi (1,7 bar)	45 lbs (21 kg)	28" (711 mm)	11" (279 mm)	1/4" (1)	3/8" (1)
378128	12" - 18" (300-450 mm)	8" M	11.25"-18.25" (286-464 mm)	10 psi (0,69 bar)	23 ft. (10 M)	25 psi (1,7 bar)	45 lbs (21 kg)	28" (711 mm)	11" (279 mm)	1/4" (1)	3/8" (1)

Multi-Size Plugs with Interchangeable Flange

Part Number	Nominal Size	Bypass Diameter (NPT)	Usage Range	Maximum Back Pressure	Inflation Pressure	Product Weight	Deflated Length	Deflated Diameter	Inflation Thread	Chain / Eye bolts	
376148	14" - 21" (375-525 mm)	6" M	13.6"-21.25" (345-540 mm)	10 psi (0,69 bar)	23 ft. (10 M)	25 psi (1,7 bar)	60 lbs (27 kg)	30" (762 mm)	13.25" (337 mm)	1/8" (1)	3/8" (2)
378148	14" - 21" (375-525 mm)	8" M	13.6"-21.26" (345-540 mm)	10 psi (0,69 bar)	23 ft. (10 M)	25 psi (1,7 bar)	60 lbs (27 kg)	30" (762 mm)	13.25" (337 mm)	1/8" (1)	3/8" (2)
380148	14" - 21" (375-525 mm)	10" M	13.6"-21.27" (345-540 mm)	10 psi (0,69 bar)	23 ft. (10 M)	25 psi (1,7 bar)	60 lbs (27 kg)	30" (762 mm)	13.25" (337 mm)	1/8" (1)	3/8" (2)
376188	18" - 24" (450-600 mm)	6" M	16.5"-24.25" (419-616 mm)	10 psi (0,69 bar)	23 ft. (10 M)	22 psi (1,5 bar)	90 lbs (41 kg)	34" (864 mm)	16" (406 mm)	1/8" (1)	1/2" (2)
378188	18" - 24" (450-600 mm)	8" M	16.5"-24.26" (419-616 mm)	10 psi (0,69 bar)	23 ft. (10 M)	22 psi (1,5 bar)	90 lbs (41 kg)	34" (864 mm)	16" (406 mm)	1/8" (1)	1/2" (2)
380188	18" - 24" (450-600 mm)	10" M	16.5"-24.27" (419-616 mm)	10 psi (0,69 bar)	23 ft. (10 M)	22 psi (1,5 bar)	90 lbs (41 kg)	34" (864 mm)	16" (406 mm)	1/8" (1)	1/2" (2)

Big Mouth Flange Kits

Part Number	Nominal Size	Bypass Diameter
049068	14" - 21"	6" M
049088	14" - 21"	8" M
049188	18" - 24"	8" M
049208	18" - 24"	10" M