



MODA™ LAVATORY SUPPLY BOX

Job Name: _____ Item #: _____
 Location: _____
 Engineer: _____ Contractor: _____
 PO#: _____ Tag: _____
 Representative: _____

SPECIFICATION

Oatey MODA™ lavatory supply boxes shall be used in residential or commercial applications requiring a supply valve recessed in the wall. The MODA™ lavatory assembly contains two 3/8" OD compression valves pre-installed in a PVC box, connected by inter-locking wing flanges that can be easily disassembled and re-assembled. The wing flanges shall allow installation on a single stud, or between two studs using the included side brackets. No additional components shall be required for a between stud installation. Valves shall be a two-piece design, permitting field replacement, and shall be secured with a stainless steel retention clip. Valves are available with or without water hammer arrestors and shall be installed upright or inverted. The assembly shall include an emergency drain port for protection from supply hose leaks.

MATERIALS

Outlet Box & Brackets	PVC
Valve Body	Forged Brass C46500 No Lead (Chrome Plated)
Valve Retention Clip	Stainless Steel
Valve O-Rings	NSF Approved EPDM (2)

PERFORMANCE SPECIFICATIONS

Temperature Rating (Valve)	250° F / 121° C
Max Testing Pressure (Valve)	100 psi (Air) / 250 psi (Water)

LISTINGS & CODE APPROVALS

Valves	ASME A112.18.1 / CSA B125.1 NSF / ANSI 61 & 372
Water Hammer Arrestors	ASSE 1010
Boxes	IAPMO-Listed, PS-54



DIMENSIONS

[A]: Box Width	8.00"	[E]: Bracket Length	8.00"
[B]: Box Depth	3.38"	[F]: Faceplate Width	6.00"
[C]: Box Height	4.85"	[G]: Faceplate Height	6.45"
[D]: Bracket Width	4.00"	[H]: Faceplate Depth	1.25"

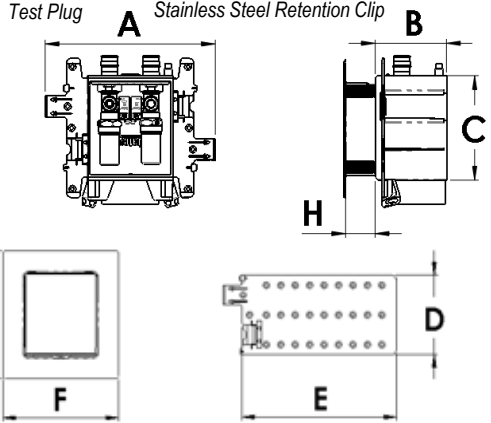
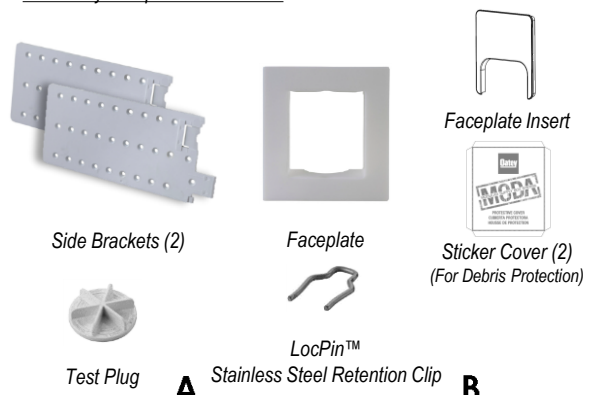
PRODUCT SELECTOR

No Hammer Arrestors				Hammer Arrestors							
<input type="checkbox"/>	37741	LAV, Copper, NoHam, Std Pk	<input type="checkbox"/>	37757	LAV, Copper, NoHam, Cont Pk	<input type="checkbox"/>	37749	LAV, Copper, Ham, Std Pk	<input type="checkbox"/>	37765	LAV, Copper, Ham, Cont Pk
<input type="checkbox"/>	37743	LAV, F1807-Brass, NoHam, Std Pk	<input type="checkbox"/>	37759	LAV, F1807-Brass, NoHam, Cont Pk	<input type="checkbox"/>	37751	LAV, F1807-Brass, Ham, Std Pk	<input type="checkbox"/>	37767	LAV, F1807-Brass, Ham, Cont Pk
<input type="checkbox"/>	37744	LAV, F2159-PPSU, NoHam, Std Pk	<input type="checkbox"/>	37760	LAV, F2159-PPSU, NoHam, Cont Pk	<input type="checkbox"/>	37752	LAV, F2159-PPSU, Ham, Std Pk	<input type="checkbox"/>	37768	LAV, F2159-PPSU, Ham, Cont Pk
<input type="checkbox"/>	37745	LAV, F1960-Brass, NoHam, Std Pk	<input type="checkbox"/>	37761	LAV, F1960-Brass, NoHam, Cont Pk	<input type="checkbox"/>	37753	LAV, F1960-Brass, Ham, Std Pk	<input type="checkbox"/>	37769	LAV, F1960-Brass, Ham, Cont Pk
<input type="checkbox"/>	37746	LAV, F1960-PPSU, NoHam, Std Pk	<input type="checkbox"/>	37762	LAV, F1960-PPSU, NoHam, Cont Pk	<input type="checkbox"/>	37754	LAV, F1960-PPSU, Ham, Std Pk	<input type="checkbox"/>	37770	LAV, F1960-PPSU, Ham, Cont Pk
<input type="checkbox"/>	37742	LAV, CPVC, NoHam, Std Pk	<input type="checkbox"/>	37758	LAV, CPVC, NoHam, Cont Pk	<input type="checkbox"/>	37750	LAV, CPVC, Ham, Std Pk	<input type="checkbox"/>	37766	LAV, CPVC, Ham, Cont Pk
<input type="checkbox"/>	37748	LAV, Push Cnc, NoHam, Std Pk				<input type="checkbox"/>	37756	LAV, Push Cnc, Ham, Std Pk			

- Standard packs shipped with faceplates on boxes, contractor packs ship with faceplates packaged separately.
 - All products sold in case packs of 12.



Accessory Components Included:



Access BIM/Revit content through www.oatey.com